

# AXOLIFT: Offering smart and safe alternatives to ladders

## Manulift 200/4

Up to 4 meters in total safety

<https://www.gbhw.nl/axolift/low-level-access/manulift2004>

### Manulift 200/4: Your smart and zero-emission alternative to ladders.

With MANULIFT 200/4 it is no longer necessary to assemble and disassemble, for example, a tower scaffold. You just have to position the platform, step on it and turn the handle to choose the height that best suits your job.

#### Agility

Its manoeuvrability makes it easy to move it from one work area to another with its lightness and compactness, by forklift as well as by hand.

#### Safety

The aspect of operator safety, and making working at height comfortable, is always at the forefront of the Axolift designers' minds and it passes easily through standard doors because it is compact.

#### Zero- emission

They are manual and intended to operate in the most diverse environments without the need of motor or electricity. Without power and battery, maintenance is virtually non-existent and it is eco-friendly



#### Control handle

Quick adjustment of the working height turning the handle. No batteries or power connection required.



#### Attachment point

To feel even more safe (According to UNI EN 280/15).



#### Forklift

With the possibility to be lifted easily from the ground with a forklift.



#### Front brake

Single bar brake needed to lock the wheels before use



#### Double- leaf door

Easy and safe entry with locking springs.



#### 4 wheels

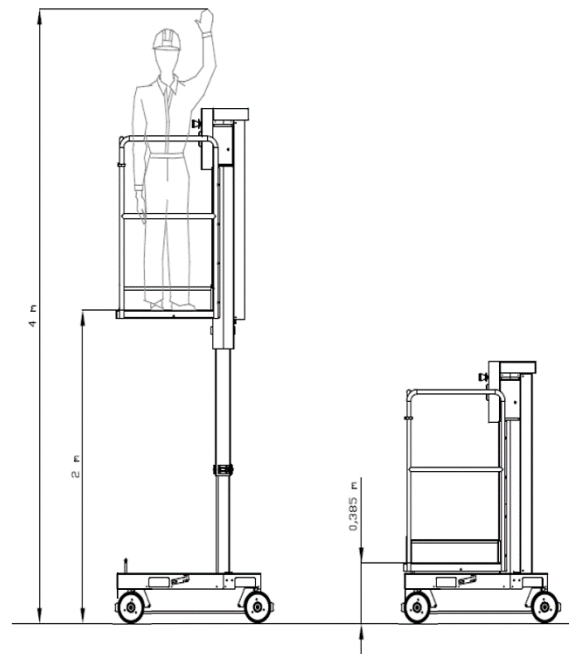
2 sliding wheels on the front and on the back.

**MAX WORKING WEIGHT: 125KG**

- Without batteries.
- No power consumption or need to be recharged.
- Without CO2 emission or gas leakage.
- No hydraulic system therefore no risk of leakage.
- Maintenance is virtually non-existent so the costs are reduced.
- Possible use 24h/24 7d/7.

MANULIFT 200/4 platform is a non-motorized vertical mast platform that allows you to work in complete safety up to a working height maximum of 4.00 m. With its mini dimensions, light weight and pivoting front wheel, the MANULIFT 200 platform is easily maneuverable by one person only.

Access to the MANULIFT 200/4 basket is easy: a simple 30 cm step. to cross. The self-locking "saloon" type doors with total opening and in stainless steel are the guarantor of increased longevity even in use. Once mounted in the platform, simply turn the handle to intensive up or down (the movement is assisted and therefore effortless).



### SAFETY:

- Emergency drop-down bar.
- Automatic locking of front wheels in high position.
- Self-locking INOX access door.
- Foot brake unique bar on rear wheels.
- Spirit level for horizontal control.

## MANULIFT 200/4 technical data

### Operating dimensions:

Max. Working Height:	4,00 m
Max. Height Of The Base:	2,00 m
Max. Height Of The Tool tray:	3,35 m
Max. Load Capacity On The Platform:	125kg / 1 pers.
Max. Load Capacity On The Tool tray:	20 kg
Max. Lateral Load:	200 N
Maximum Force To Be Exerted On The Handle:	-5 daN
Allowable Cant:	0°- Internal Use
Allowable Wind:	0km/h- Internal Use
Front Wheel:	185,1 mm
Rear Wheel:	98 mm
Ground Clearance:	62 mm
High resistance paint Orange RAL 2000	
Marking and conformity CE- Compliance with the standard EN 280	

### Dimensions and Weight:

Dimensions Of The Machine:	1265 x735 x1670 mm
Dimensions Of The Platform:	740 x645 mm
Dimensions Of The Tablet:	580 x300 mm
Weight Of The Machine:	273 kg
Weight Of The Machine With Charge:	398 kg

